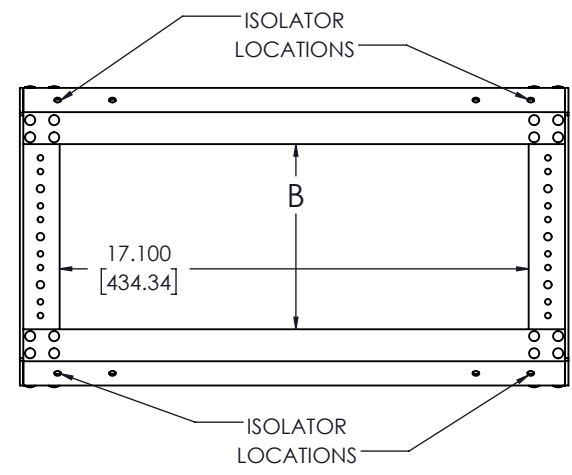
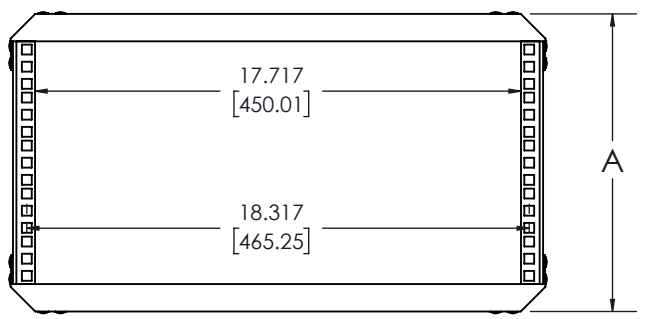
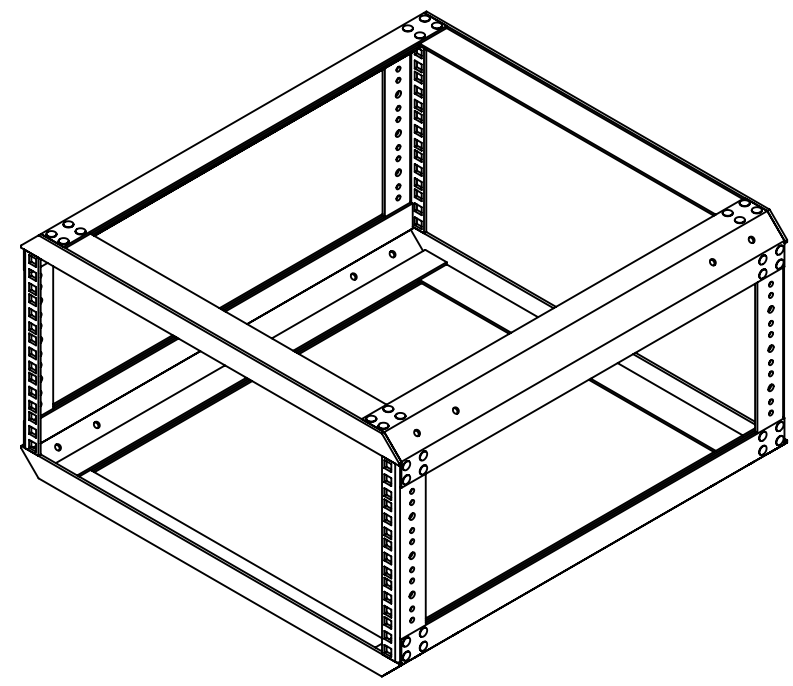
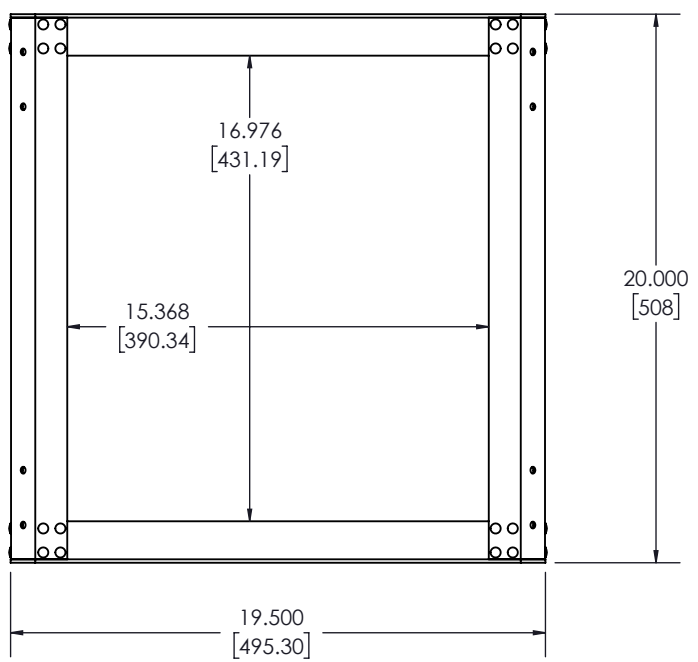


10 9 8 7 6 5 4 3 2 1

K  
J  
H  
G  
F  
E  
D  
C  
B  
A

K  
J  
H  
G  
F  
E  
D  
C  
B  
A



RACK UNITS	A	B
3U	7.350 [186.69]	3.250 [82.55]
4U	9.090 [230.89]	5.000 [127.00]
5U	10.850 [275.59]	6.750 [171.45]
6U	12.600 [320.04]	8.500 [215.90]
7U	14.350 [364.49]	10.250 [260.35]
9U	17.850 [453.39]	13.750 [349.25]
11U	21.350 [542.29]	17.250 [438.15]
14U	26.600 [675.64]	22.500 [571.50]

**PROPRIETARY AND CONFIDENTIAL**  
 THE INFORMATION CONTAINED IN THIS DRAWING IS THE SOLE PROPERTY OF SKB CORPORATION, INC. ANY REPRODUCTION IN PART OR AS A WHOLE WITHOUT THE WRITTEN PERMISSION OF SKB CORPORATION, INC IS PROHIBITED.

NAME	DATE
ENGINEER ZACH Z.	10/21/24
COMMENTS:	
INCHES [MILLIMETERS]	

RR 20 INCH RACK CAGES	REV A
	
SKB CORPORATION, INC. 434 West Levers Place, Orange, CA 92867 Phone: 714.637.1252	

10 9 8 7 6 5 4 3 2 1